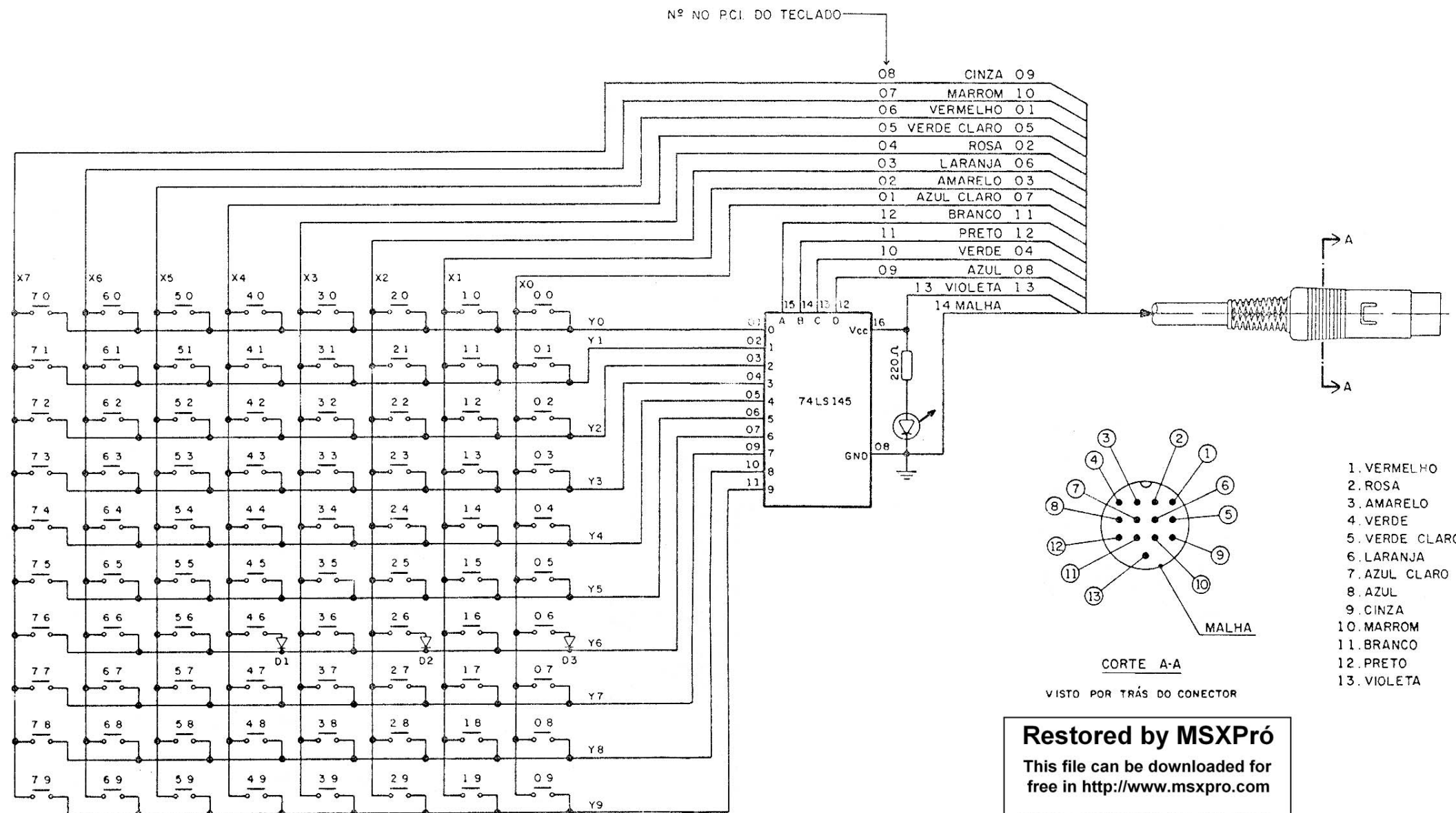


TECLADO EXPERT XP-800

POSIÇÃO DA CHAVE
CARACTER

00	Ø	01	8	02	, "	03	C	04	K	05	S	06	SHIFT	07	F4/F9	08	SPACE BAR	09	+
10	1	11	9	12	Ç	13	D	14	L	15	T	16	CTRL	17	F5/10	18	HOME CLS	19	-
20	2	21	--	22	, <	23	E	24	M	25	U	26	L GRA	27	ESC	28	INSERT	29	*
30	3	31	= +	32	>	33	F	34	N	35	V	36	CAPS LOCK	37	TAB	38	DELETE	39	/
40	4	41	\	42	/	43	G	44	O	45	W	46	R GRA	47	STOP	48	←	49	
50	5	51	[52	~ / / A	53	H	54	P	55	X	56	F1/F6	57	BS	58	↑	59	
60	6	61]	62	A	63	I	64	Q	65	Y	66	F2/F7	67	SELECT	68	↓	69	
70	7	71	;	72	B	73	J	74	R	75	Z	76	F3/F8	77	RETURN	78	→	79	

TABELA DE REFERÊNCIA (MATRIZ X-Y) X CARACTER



Restored by MSXPró
 This file can be downloaded for free in <http://www.msxpro.com>
 If you paid for this file, I'm sorry, but you're a sucker. 😊